



CONTRACT



RESIDENTIAL

PRODUCT INFORMATION

- Elegantly shaped aluminium profile, with Velcro Hook Tape
- Simple and quick installation with Smart Klick[®] bracket
- Can be controlled by wall switch, remote control (high frequency) or time switch (high frequency)
- Easy to connect to building automation systems
- Corddrums can be placed on every position in the profile
- Maximum fabric weight per cord roll: 4 kg and total system 13 kg*1)
- Maximum height 5.5 meter
- Tubular motor also available with internal Multi receiver and electronic limit setting
- Noise level tubular motor < 44 dB(A)
- Easy assembling and smooth operation guaranteed
- Length: 5.80 meter
- Profile quality: aluminium, chromated, powder coated

*1) other motor types available on request
up to 26 kg lifting weight per system is possible with a 13Nm motor

FOR USE IN

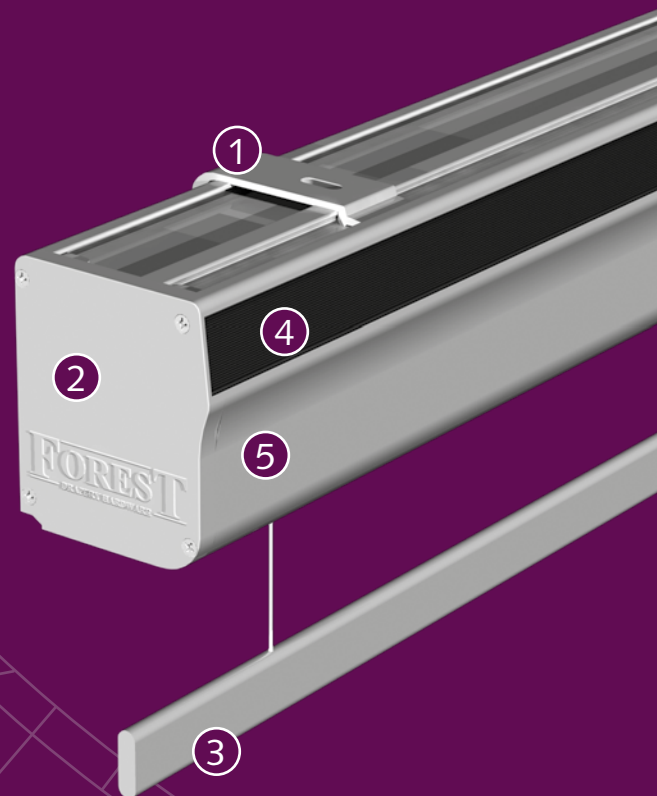
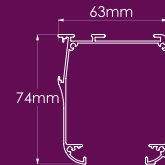
Domestic and/or project market, or at any location where a high quality and smooth operated motorized blind system is requested.

SPECIFICATIONS

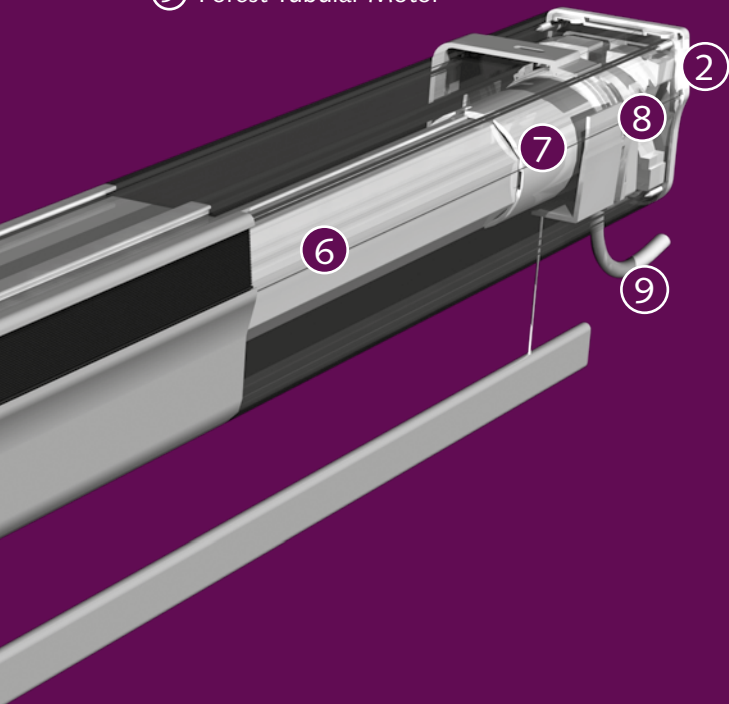
Type	Strength	Speed	Weightload	Noise level	Control options
6/28/S	6 Nm	28 rpm	13 kg	< 44 dB(A)	Switch / Home Automation
6/20/SQ	6 Nm	20 rpm	13 kg	< 40 dB(A)	Switch / Home Automation
13/14/S	13 Nm	14 rpm	26 kg	< 44 dB(A)	Switch / Home Automation
6/28/E	6 Nm	28 rpm	13 kg	< 44 dB(A)	Forest Multi Internal Receiver
6/20/EQ	6 Nm	20 rpm	13 kg	< 40 dB(A)	Forest Multi Internal Receiver
13/14/E	13 Nm	14 rpm	26 kg	< 44 dB(A)	Forest Multi Internal Receiver

PROFILE

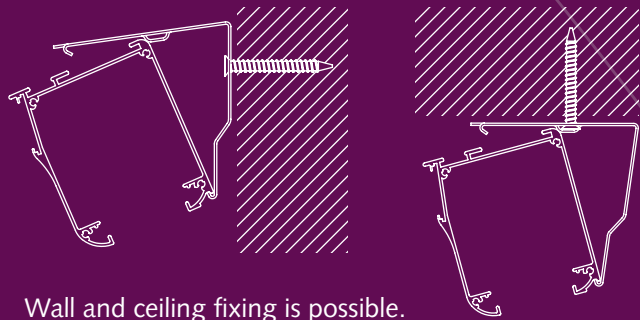
- Weight: 1.092 kg / mtr
- Size: 62 x 74 mm
- Aluminium extrusion



- ① BCS Klick® Bracket
- ② BCS Endcaps
- ③ Bottomweight 20 x 6 mm.
- ④ BCS Velcro Hook Tape
- ⑤ BCS Track
- ⑥ BCS Tube 8-angular
- ⑦ BCS Cord Roll House Complete
- ⑧ BCS Centre Support
- ⑨ Forest Tubular Motor



MOUNTING



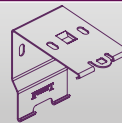
Wall and ceiling fixing is possible.

ADJUSTING MOTOR

The BCS Tubular Motor can be adjusted mechanically, or with the Forest Multi remote control for the BCS Tubular Motor with internal Multi receiver.



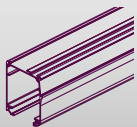
BCS EASY MOUNT WALL/CEILING BRACKET WHITE



For wall and ceiling fixing.

3416301010
25/box

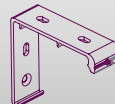
BCS TRACK



Length 5,80 mtr (19').

3416101000

BCS MOUNTING BRACKET WITH ALLEN SCREW



For wall and ceiling fixing.

3416301020
25/box

BCS TUBE 8-ANGULAR



Length 5,80 mtr (19').

3416102000

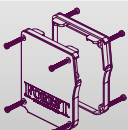
CEILING SWIVEL BRACKET



For ceiling fixing.

3818200450
100/box

BCS ENDCAPS LEFT/RIGHT



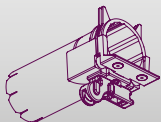
3416201000
25 sets/box

BCS CENTRE SUPPORT



Dimension: 51 x 56 mm.

3416500000
25/box

BCS CORD ROLL HOUSE COMPLETE

Cord roll House complete with extender.
incl. 5,5 mtr white cord.

341650002
25/box

BCS CORD

For use in combination with BCS Cord Rol Support.
Thickness: 1,3 mm.

3645001000
500 mtr./roll

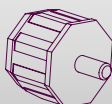
BCS SNAP CORD FIXER

For easy adjustment of the BCS/BS/PS Counterweight.

3647001001
100/box

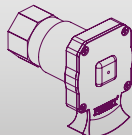
CORD FIXER CHILD SAFETY

3611001001
100/box

BCS TUBE SUPPORT

To be placed on the open end of the 8 angular tube.

3416500003
25/box

CONTROL UNIT 1.4

For operation by chain.

3416001014
1/box

METAL CHAIN

ROL 150 MTR
ENDLESS 0,75
ENDLESS 1,00
ENDLESS 1,25
ENDLESS 1,50
ENDLESS 2,00
ENDLESS 2,50
ENDLESS 3,00

367 000 3100
367 000 7150
367 000 7200
367 000 7250
367 000 7300
367 000 7350
367 000 7400
367 000 7450

BCS VELCRO HOOK TAPE

25 mm height.
1,20 meter length.

3416500004
1/box

BCS FIBREROD

6 meter length.
4 mm diameter.

3535301600
100/bundle

BCS/BS/PS COUNTERWEIGHT

6 meter length.
20 x 6 mm white.

3501701600
10/bundle

BCS OBSTRUCTION SENSOR

For use in combination with the Forest Tubular Motor with built-in receiver.
Set 230V.

3416800000
1/box

FOREST TUBULAR MOTOR

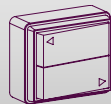
Standard motor, Mechanical end limits:

35 MM 230V/50Hz 6/28/S 3416600012
35 MM 230V/50Hz 13/14/S 3416600016
35 MM 230V/50Hz 6/20/SQ - ULTRAQUIET 3416600017

Built-in receiver for Forest Diamond remote control devices:

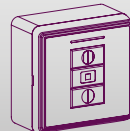
35 MM INT. RECEIVER 230V/50Hz 6/28/E 3416600112
35 MM INT. RECEIVER 230V/50Hz 13/14/E 3416600116
35 MM INT. RECEIVER 230V/50Hz 6/20/EQ - ULTRAQUIET 3416600117

1/box

FOREST WALL SWITCH

Dimension:
6,5 x 5,5 x 2,7 cm
(2,6 x 2,2 x 1,1")

5201001910
1/each

MULTI RECEIVER/WALL SWITCH BCS/FMS

Receiver to be used in combination with Diamond remote.

5104011500
1/each

Dimension: 8,5 x 8,5 x 3,5 cm.

FOREST MULTI WIRELESS SWITCH WITH TIMER

15 channels
White
Black

1/each
5201001481
5201006481

MULTI DIAMOND REMOTE CONTROL

5 + 1 channel remote control.
White
Black

1/each
5201091460
5201096460

MULTI WIRELESS WALL SWITCH

2-channel wall switch in combination with Shuttle Multi receiver.

Dimension: 8,5 x 8,5 x 1 cm.
White
Black

1/each
5201001480
5201006480

OTHER CONTROL OPTIONS

Z-Wave and Somfy receivers and controls are available on request.

DISTRIBUTOR: